

SONY

VPL-HW45ES

Home Theater Projector



1920 x 1080
Full HD 3D

SXRD



HDMI

The Value-Packed Introduction to True Home Cinema

Expand your horizons beyond the TV screen - and create a spectacular cinematic experience in your own home. Available in a choice of black or white finishes to flatter any interior, the value-packed VPL-HW45ES Home Cinema projector lets you enjoy your favorite entertainment at its best in 2D or 3D.

Made for movie lovers, it's packed with technology developed for our professional Digital Cinema projectors, including SXRD panels and our own Advanced Reality Creation upscaling technology for fabulously detailed Full HD images. Generous 1,800 lumens brightness ensures that films and TV shows look clear and sharp, even in daylight living rooms.

Compact and easy to set up, the VPL-HW45ES fits neatly into any home theatre or living room, with quiet fan noise that won't disturb the show and a front-facing exhaust port for extra installation flexibility. The projector's long-lasting lamp is rated for an extra-generous 6,000 hours operation, for fewer interruptions and reduced maintenance costs.



Breathtaking Picture Quality

High Brightness

Drawing on optical technology developed for the VPL-VW1100ES, we've achieved high brightness. Conventional home theater projectors typically enhance the green color to secure image brightness. However, the projector boasts our new Bright Cinema and Bright TV modes. Optical block and signal processing improvements bring high brightness without a loss in color reproduction and contrast, so you can enjoy bright, crisp images even when viewing in a well-lit room.



Standard Home Theater Projector

Not bright enough



Sony Home Theater Projector

Images are brighter and clearer even in a well-lit environment

Simulated images

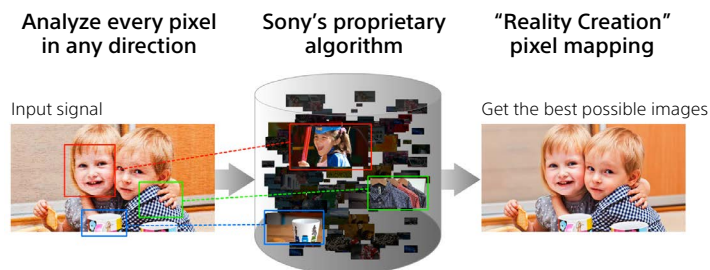
Dynamic Image with High Contrast

Contrast enhancer

This function automatically adjusts the contrast for optimum viewing. It compensates for dark and bright parts of an image by analysing the signal component of each scene in real time to enhance contrast.

Advanced Reality Creation for Full HD

The Reality Creation function for our VPL-HW45ES projector has been further improved by taking the same technology from our 4K home theater models. It reproduces the texture and color of the original 1080p signal by restoring missing information lost during packaging original contents to disc and broadcast transmission. As a result, you can enjoy sharp and crisp Full HD pictures.



Picture patterning based on 10 years of accumulated expertise

Simulated images

Advanced Motionflow

We've simplified our Motionflow offering. Combination mode uses Sony's Film Projection and Motion Enhancer capabilities, adding frames to reduce blur and maintain brightness in thrilling, fast-moving scenes. Cinema purists can choose True Cinema mode to retain the original 24 fps.



Without Motionflow



With Motionflow

Simulated images

User-friendly Functions

Powerful Picture Calibration Features

There are eight calibrated presets to optimize various content.

Cinema Film1 Highly dynamic and clear images of typical master positive films		Cinema Film2 Rich tone and color typical of a movie theater		Reference Original image without any adjustment	
TV Watching TV programs, sports, concerts, etc.		Photo For still images taken with a digital camera		Game Well-modulated colors and fast response	
Bright Cinema Movies in a bright environment, such as a living room		Bright TV TV programs in a bright environment		User Adjusts the picture quality to suit your preference using Reference mode	

Professional Calibration

A correction tool allows you to adjust the hue, saturation, and brightness of each color and the color space for red, green and blue respectively, to get exactly the picture you want.

Industry-standard RF 3D Compatible

A built-in RF transmitter synchronizes with any RF 3D glasses for wider coverage and greater stability, and there's no need for an external transmitter.

Long-lasting Lamp

By incorporating a high-performance lamp and advanced lamp-control technology, the projector delivers an extremely long lamp replacement time of 6,000 hours*.

* Approximate recommended period, in low mode.

USB Updates

To get the best from your projector, there's a USB port for the latest firmware updates.

Low Latency Mode

A new feature for gamers. Experience our fastest ever response time between your controller and the screen for ultimate gaming action.

Installation Advantages

Electronic Panel Alignment

Ensures the red and blue elements in each pixel are precisely positioned against green. Adjustments can be made by as little as 0.1 pixels for optimum clarity.

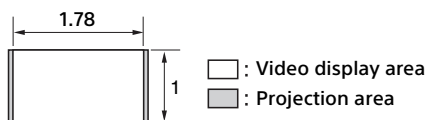
Specifications

Display System	SXRD panel, projection system	
Display device	Size of effective display area	0.61" x 3
	Number of pixels	6,220,800 (1920 x 1080 x 3) pixels
Projection lens	Focus	Manual
	Zoom	Manual (Approx. x1.6)
	Lens shift	Manual, Vertical: +/- 71%, Horizontal: +/- 25%
Light source	High-pressure mercury lamp, 215 W type	
Recommended lamp replacement time*1	6000 H (Lamp mode: Low)	
Filter replacement cycle (Max.)	Same time as the lamp replacement is recommended	
Screen size	40" to 300" (1,016 mm to 7,624 mm)	
Light output	1800 lm (Lamp mode: High)*2	
Color light output	1800 lm (Lamp mode: High)*2	
Displayable scanning frequency	Horizontal	19 kHz to 72 kHz
	Vertical	48 Hz to 92 Hz
Display resolution	Computer signal input	Maximum display resolution: 1920 x 1080 dots (HDMI Input only)
	Video signal input	480/60p, 576/50p, 720/60p, 720/50p, 1080/60i, 1080/50i The following items are available for HDMI input only. 1080/60p, 1080/50p, 1080/24p
OSD language	17-languages (English, Dutch, French, Italian, German, Spanish, Portuguese, Russian, Swedish, Norwegian, Japanese, Simplified Chinese, Traditional Chinese, Korean, Thai, Arabic, Polish)	
INPUT OUTPUT (Computer / Video / Control)	HDMI1 / HDMI2	Digital (RGB/Y Pb/Cb Pr/Cr)
	Remote	RS-232C, D-sub 9-pin (female)
	IR IN	Mini Jack
	USB	DC 5 V, Max. 500 mA
Acoustic noise	22 dB	
Operating temperature / Operating humidity	5°C to 35°C (41°F to 95°F) / 35% to 85% (no condensation)	
	Storage temperature / Storage humidity	
Storage temperature / Storage humidity		-20°C to +60°C (-4°F to +140°F) / 10% to 90% (no condensation)
Power requirements	AC 100 V to 240 V, 3.1 A to 1.3 A, 50/60 Hz	
Power consumption	AC 100 V to 120 V	MAX 310 W
	AC 220 V to 240 V	MAX 310 W
Power consumption (Standby Mode)	AC 100 V to 120 V	0.4 W (when "Standby mode" is set to "Low")
	AC 220 V to 240 V	0.4 W (when "Standby mode" is set to "Low")
Power consumption (Networked Standby Mode)	AC 100 V to 120 V	1.0 W (All terminals and networks connected, when "Standby Mode" is set to "Standard")
	AC 220 V to 240 V	1.0 W (All terminals and networks connected, when "Standby Mode" is set to "Standard")
Dimensions (W x H x D) (without protrusions)	407.4 x 179.2 x 463.9 mm 16 1/8 x 7 1/8 x 18 3/8 inches	
Mass	Approx. 9 kg / 20 lb	
Supplied accessories	RM-PJ28 Remote Commander (1), Size AA (R6) Manganese Batteries (2), AC Power Cord (1), Lens Cap (1), Operating Instructions (CD-ROM) (1), Quick Reference Manual (1)	
Replacement lamp	LMP-H210	

*1 The figures are expected maintenance time and not guaranteed. They will depend on the environment or how the projector is used.

*2 The values are estimate.

Projection distance



1.78:1 (16:9)		
Projection image size		Projection distance L
Diagonal	Width x Height	
80" (2.03 m)	1.77 x 1.00 (70 x 39)	2.53 - 3.61 (99 - 142)
100" (2.54 m)	2.21 x 1.25 (87 x 49)	3.17 - 4.52 (125 - 178)
120" (3.05 m)	2.66 x 1.49 (105 x 59)	3.81 - 5.43 (150 - 214)
150" (3.81 m)	3.32 x 1.87 (131 x 74)	4.77 - 6.80 (188 - 268)
200" (5.08 m)	4.43 x 2.49 (174 x 98)	6.38 - 9.08 (252 - 357)

Optional Accessories

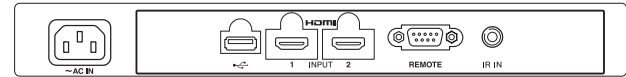


LMP-H210
Projector Lamp (for replacement)



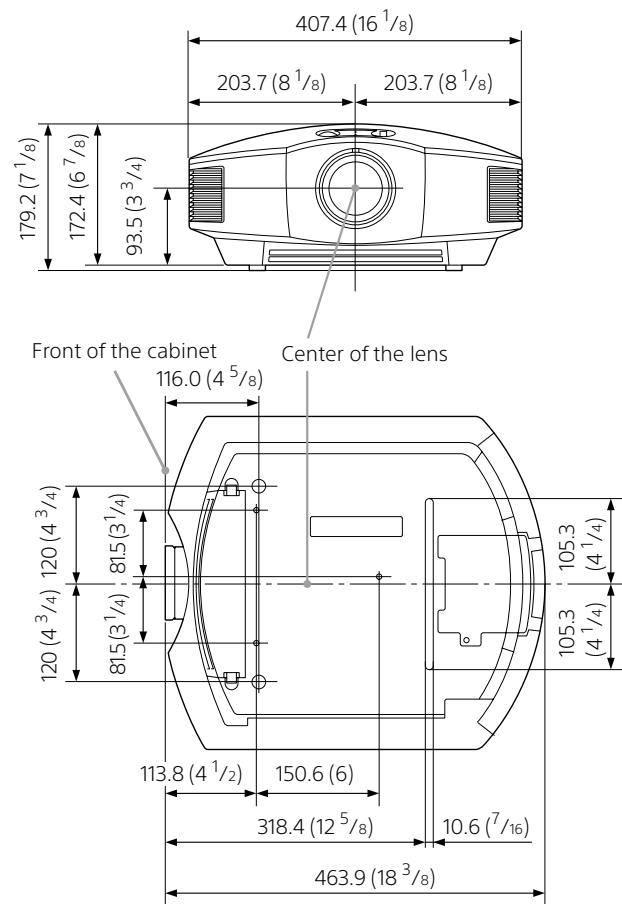
TDG-BT500A
3D Glasses

Connector Panel



Dimensions

Units: mm (inches)



SONY

Distributed by

©2016 Sony Corporation. All rights reserved.
Reproduction in whole or in part without written permission is prohibited.
Features and specifications are subject to change without notice.
The values for mass and dimension are approximate.
"SONY", "SXR", "Motionflow" and "24p True Cinema" are
trademarks of Sony Corporation.
The terms HDMI and HDMI High-Definition Multimedia Interface,
and the HDMI Logo are trademarks or registered trademarks of
HDMI Licensing LLC in the United States and other countries.
All other trademarks are the property of their respective owners.